

## Technical data sheet Signaling column element

Part no.: 50142452

A7-MP2-100

### Contents

- Technical data
- Dimensioned drawings
- Electrical connection
- Notes
- Accessories



Figure can vary



## Technical data

### Basic data

Series	A7
--------	----

### Connection

Number of connections	1 Piece(s)
-----------------------	------------

#### Connection 1

Type of connection	Terminal
Type of terminal	Tension spring technology

### Mechanical data

Design	Cylindrical
Dimension (Ø x L)	70 mm x 197 mm
Housing material	Plastic, Aluminum
Net weight	169 g
Housing color	Black Gray
Design of mounting device	Base mounting
Type of fastening, at system	Screw type / horizontal Screw type / vertical
Type of mounting device	180°, adjustable in intervals of 15°
Module holder	One side
Number of end caps	1 Piece(s)

### Environmental data

Ambient temperature, operation	-10 ... 60 °C
--------------------------------	---------------

### Certifications

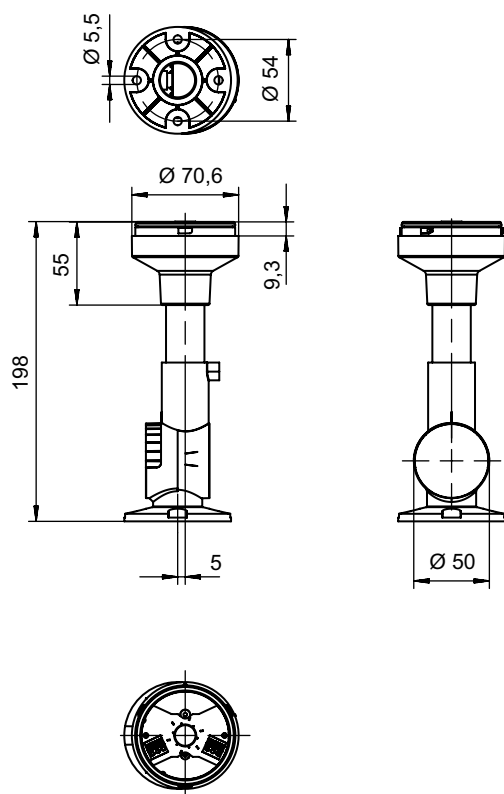
Degree of protection	IP 66, Only when mounted on a housing with the same degree of protection
Certifications	CE CSA

### Classification

Customs tariff number	85318070
eCl@ss 8.0	27371220
eCl@ss 9.0	27371220
eCl@ss 10.0	27371220
eCl@ss 11.0	27371220
ETIM 5.0	EC000232
ETIM 6.0	EC000232

## Dimensioned drawings

All dimensions in millimeters



# Electrical connection

## Connection 1

Function	Voltage supply
Type of connection	Terminal
Type of terminal	Tension spring technology

## Notes

**Observe intended use!**

	<ul style="list-style-type: none"> <li>⚠ This product is not a safety sensor and is not intended as personnel protection.</li> <li>⚠ The product may only be put into operation by competent persons.</li> <li>⚠ Only use the product in accordance with its intended use.</li> </ul>
--	---

## Accessories


### Mounting technology - Mounting brackets

	Part no.	Designation	Article	Description
	50142896	A7-MW2	Signaling column element	Design: L shape Version: Angle, L-shape Fastening, at system: Through-hole mounting
	50143660	A7-MW2.5	Signaling column element	Design: L shape Version: Angle, L-shape Fastening, at system: Through-hole mounting

## General

	Part no.	Designation	Article	Description
	50135462	A7-V1-BZ1-M	Signaling column element	Signaling: Acoustic Current consumption, max.: 70 mA Design: Cylindrical Diameter: 70 mm Fastening: Bayonet system Operational controls: DIP switch, 225° potentiometer Ambient temperature: -10 ... 60 °C Degree of protection: IP 66 Tone type: Continuous or pulse tone Sound pressure: 100 dB Number of tones: 8 Piece(s)
	50138151	A7-V1-BZ2-S	Signaling column element	Signaling: Acoustic Current consumption, max.: 20 mA Design: Cylindrical Diameter: 70 mm Fastening: Bayonet system Operational controls: 225° potentiometer Ambient temperature: -10 ... 60 °C Degree of protection: IP 66 Tone type: Continuous tone Sound pressure: 105 dB Number of tones: 1 Piece(s)

## Accessories

	Part no.	Designation	Article	Description
	50135457	A7-V1-DS-R-T	Signaling column element	Signaling: Optical Current consumption, max.: 50 mA Design: Cylindrical Diameter: 70 mm Fastening: Bayonet system Illuminant: LED/24V Signal image: Continuous light Lens color: Red Angle of radiation: 360° Ambient temperature: -10 ... 60 °C Degree of protection: IP 66

### Note



A list with all available accessories can be found on the Leuze website in the Download tab of the article detailed page.